

FLEXFORM

MADE IN ITALY



> MOOD COLLECTION

ICARO *ROBERTO LAZZERONI* 2017

DIVANI | DIVANI COMPONENTI | POUF SOFAS | SECTIONAL SOFAS | OTTOMANS

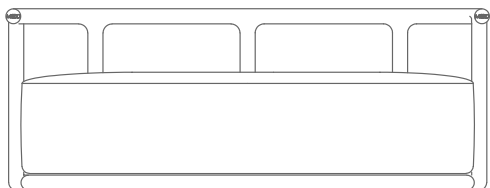
FLEXFORM Spa

Via Einaudi 23/25 20821 Meda (MB) Italy | Tel. +39 0362 3991 | Fax +39 0362 399228 | info@flexform.it | www.flexform.it

ICARO | *ROBERTO LAZZERONI* | **2017**

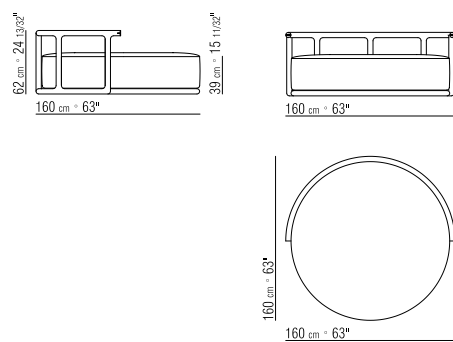
TIPOLOGIE DIVANI/DIVANI COMPONIBILI/POUF - POLTRONE/POUF - TAVOLINI/CONSOLLE - LIBRERIE/COMPLEMENTI/CONTENITORI - LETTI
PRODOTTO DIVANO **STRUTTURA** IN LEGNO MASSELLO DI FRASSINO NATURALE, TINTO EBANO, TINTO WENGE', TINTO MARRONE, TINTO ROSSO **SEDUTA** IN LEGNO CON IMBOTTITURA IN POLIURETANO E PIUMA **CUSCINETTI** IN PIUMA SU RICHIESTA CON SUPPLEMENTO DI PREZZO PER COD 1LB20 SI CONSIGLIANO 4 CUSCINI SCHIENALE 63X55 **RIVESTIMENTO** IN TESSUTO O PELLE SFODERABILE

CATEGORIES SOFAS/SECTIONAL SOFAS/OTTOMANS - ARMCHAIRS/OTTOMANS - SMALL TABLES/CONSOLE - BOOKSHELVES/FURNISHINGS/CABINETS - BEDS **PRODUCT** SOFA **FRAME** IN SOLID ASH WOOD NATURAL, STAINED WENGE', STAINED EBONY, STAINED BROWN, STAINED RED **SEAT** IN WOOD WITH POLYURETHANE AND DOWN PADDING **THROW PILLOWS** FILLED WITH DOWN, ON REQUEST WITH UPCHARGE FOR COD 1LB20 4 BACKREST CUSHIONS 63X55 CM ARE RECOMMENDED **UPHOLSTERY** REMOVABLE FABRIC OR LEATHER COVERS

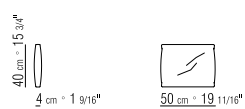




COD 1LB20



COD 1LB98



COD 1LB99

